



Project: _____
 Model: _____ Series #: _____
 Dealer: _____ Quantity#: _____
 Delivery address: _____ Date: _____

1 Door Commercial Grade Under Counter Refrigerator

Model#KTR-27B1



Features

- Precision ventilated refrigeration system keeps food fresh
- Electronic control system make it easy to adjust temperature set point and defrost frequency
- Self closing door with 90 degree stay open feature, locks and keys included
- Preinstalled heavy duty casters with brakes
- Removeable installation board makes it easy to access condenser coil for cleaning
- Stainless steel exterior and interior, guaranteed to last up to 10 years and beyond
- Paired with a durable copper coil evaporator, Westlake products are ensure surpassing 10 years of reliable performance
- 1 epoxy coated steel wire shelves, 90 lbs loading capacity each
- R290 hydrocarbon refrigerant that has zero(0) ozone depletion potential(ODP) & three(3) global warming potential(GWP)

WARRANTY:

- 2 Years Parts and Labor
- 6 Years compressor (Additional 4 years parts only)
- westlake is responsible for components failure. but is not responsible for improper operation failure and artificial damage.



Conforms to UL&NSF-7 Standards





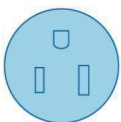
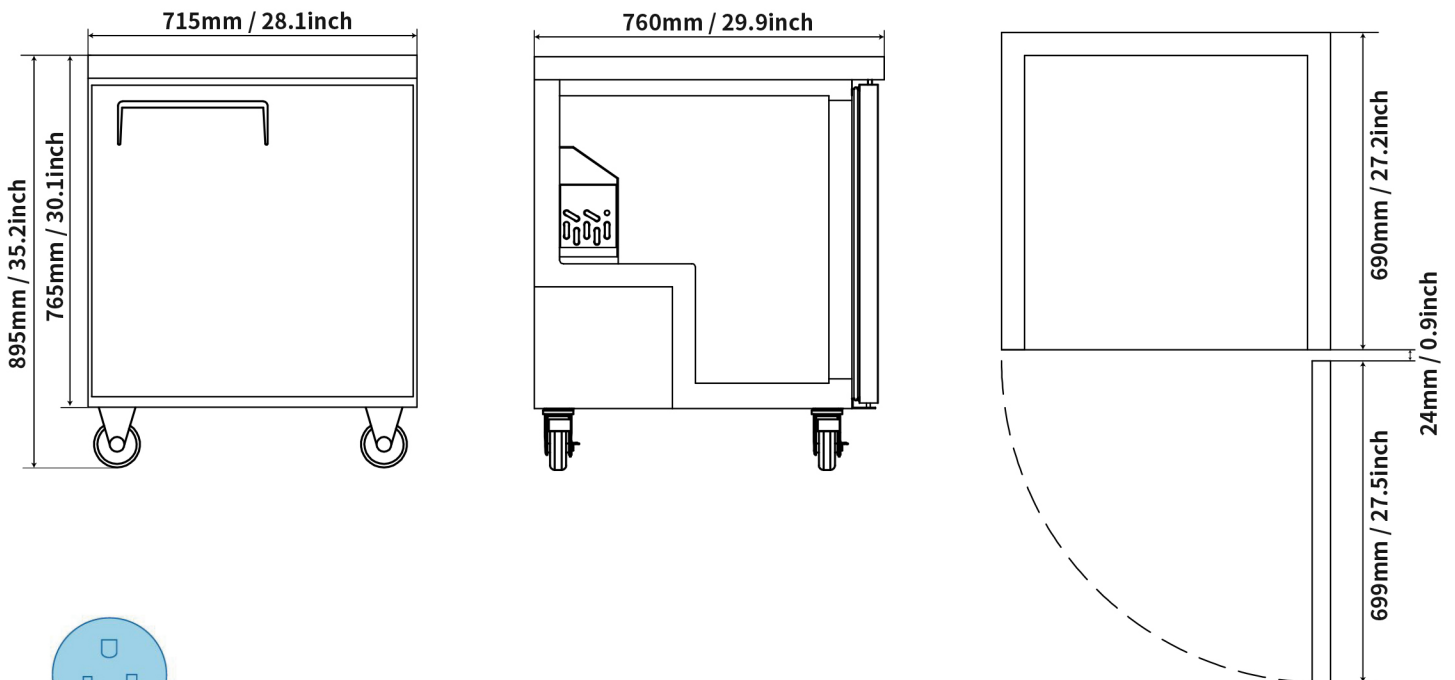
1 Door Commercial Grade Under Counter Refrigerator

Model#KTR-27B1

TECHNICAL DATA

SKU	WKTR-27B
Model	KTR-27B1
Temperature range	33°F~41°F
Refrigerant	R290
Defrosting	Auto Defrost
Power	195W
Exterior Dimension(WxDxH) inch	28.1*29.9*35.2
Interior Dimension(WxDxH) inch	23.8*19.9*24.8
Gross Weight(lb)	176
Net Weight(lb)	165
Packing Dimension(WxDxH) inch	30.3*31.1*38.4
Voltage/Phase/Hz	115V/1/60Hz
Amps	1.3A
Electrical Cord Length	98.4 inches

PLAN VIEW



NEMA 5-15P