



Project: _____
 Model: _____ Series #: _____
 Dealer: _____ Quantity#: _____
 Delivery address: _____ Date: _____

Mega Top Sandwich & Salad Food Prep Table Series 48'W

Model#KSR-48BM1



Features

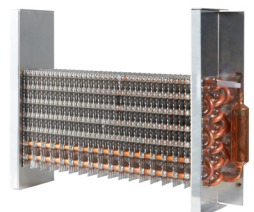
- Precision ventilated refrigeration system keeps food fresh
- Global famous electronic control system make it easy to adjust temperature set point and defrost frequency
- Self closing doors with 90 degree stay-open feature. Locks and keys included
- Stainless steel exterior and interior, guaranteed to last up to 10 years and beyond
- Removeable installation board makes it easy to access condenser coil for cleaning
- Paired with a durable copper coil evaporator, Westlake products are ensure surpassing 10 years of reliable performance
- Automatic defrost system and evaporate the defrosting water itself, no need extra discharging water pipe
- Four swivel preinstalled wheels, 2 of them with brakes

WARRANTY:

- 2 Years Parts and Labor
- 6 Years compressor (Additional 4 years parts only)
- Westlake is responsible for components failure. but is not responsible for improper operation failure and artificial damage.



Conforms to UL&NSF-7 Standards





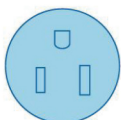
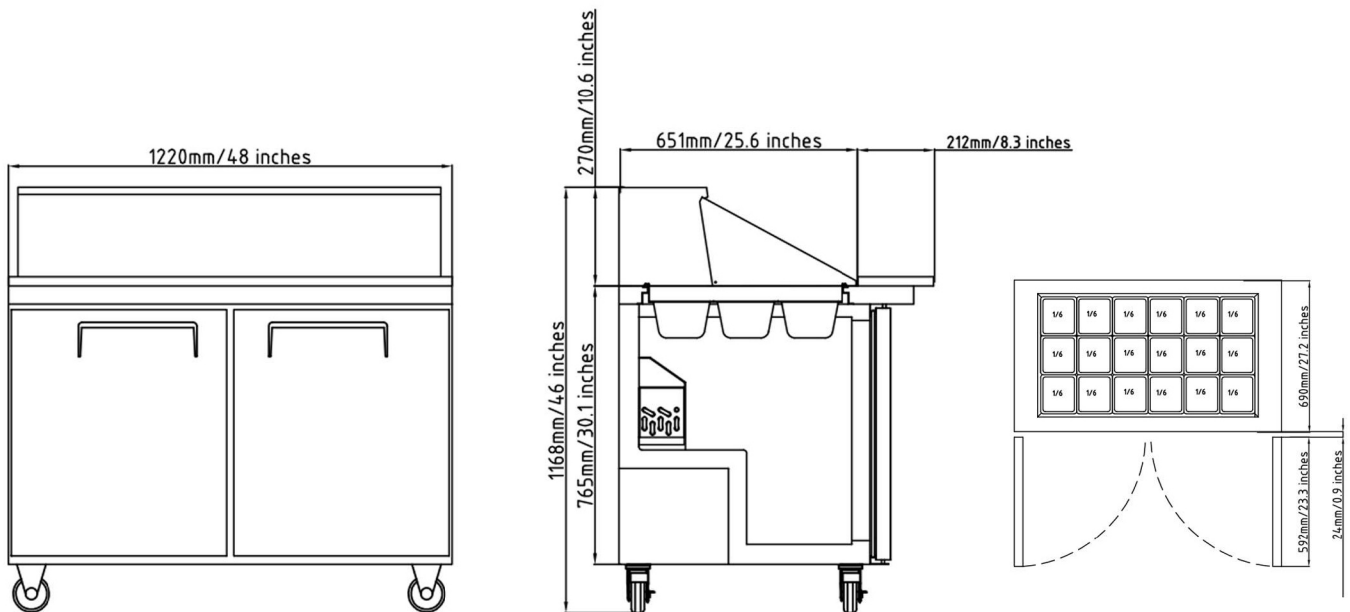
Sandwich and Salad Counter Food Prep Table Series

Model#KSR-48BM1

TECHNICAL DATA

SKU	WKSR-48BM
Model	KSR-48BM1
Temperature range	33~41°F
Refrigerant	R290
Max Ambient Temperature	100°F
Defrosting	Automatic every 4 hours
Exterior Dimension(WxDxH)inch	48"Wx33 9/10"Dx49"H
Interior Dimension(WxDxH)inch	50 2/5"Wx24 1/5"x59 13/20"H
Gross Weight (lb)	311lbs
Net Weight (lb)	266lbs
Packing Dimension(WxDxH) inch	50 2/5"Wx33 9/10"Dx49"H
Voltage/Phase/Hz	115V/1/60Hz
Amps	3.2
Plug Type	NEMA 5-15P
Electrical Cord Length	80"
Food Pans included	1/6*18

PLAN VIEW



NEMA 5-15P